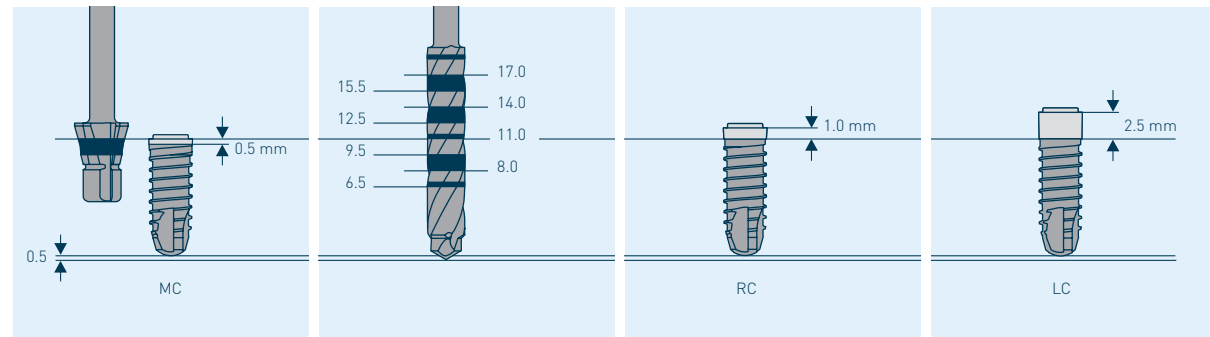


DRILLING PROTOCOL FOR **ELEMENT**

PF 3.0 endosseous Ø 2.5	PF Ø 3.5 endosseous Ø 3.5	PF Ø 4.0 endosseous Ø 4.0	PF Ø 4.5 endosseous Ø 4.2	PF Ø 5.0 endosseous Ø 5.0	PF Ø 6.0 endosseous Ø 6.0	Rotational speed rpm
2.0 Pilot drill	2.0 Pilot drill	2.0 Pilot drill	2.0 Pilot drill	2.0 Pilot drill	2.0 Pilot drill	800
 Length-specific profile drill	2.8 VECTOdrill	2.8 VECTOdrill	2.8 VECTOdrill	2.8 VECTOdrill	2.8 VECTOdrill	600
		3.5 VECTOdrill	3.5 VECTOdrill	3.5 VECTOdrill	3.5 VECTOdrill	500
				4.3 VECTOdrill	4.3 VECTOdrill	4.3 VECTOdrill
	5.3 VECTOdrill			5.3 VECTOdrill	5.3 VECTOdrill	300
	3.5/3.5 ELEMENT Profile drill *	4.0/4.0 ELEMENT Profile drill *	4.2/4.5 ELEMENT Profile drill *	5.0/5.0 ELEMENT Profile drill *	6.0/6.0 ELEMENT Profile drill *	250-300



* only with ELEMENT MC